

# HANECO LED DOWNLIGHT INSTALLATION GUIDE

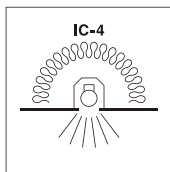
## AURORA TRITONE

**Product Code: AURORA-WH-TRI  
AURORA-BK-TRI  
AURORA-NK-TRI**

This range of HANECO LIGHTING LED downlights have been tested to the AS/NZS60598.2.2 standards and are approved to side abut and cover the recessed luminaire. The luminaire can be installed as per AS/NZS 3000.4.5.2.3.3(d).

Building insulation used to abut and cover the luminaire must meet the following requirements:

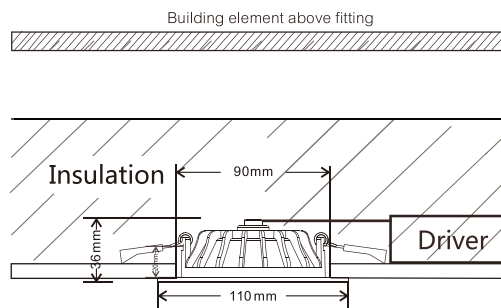
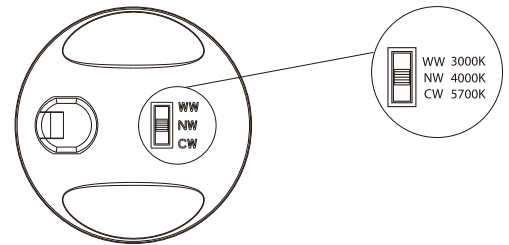
- 1: Be of a type that can maintain its dimensions and structural integrity when exposed to the maximum surface temperatures of the class of luminaire, being 90 Degree Celsius and must withstand a 30s needle flame test carried out in accordance with AS/NZS 60695.11.5 with the flame applied to all surfaces of the sample.
- 2: Loose fill insulation is permitted to abut or cover this luminaire.



Nr.	INFO & WARNING	
a	The minimum clearance distance from the top of the luminaire to any normally flammable building element (mm) .....	0mm
b	The minimum clearance distance from the top of the luminaire to any building insulation (mm) .....	0mm
c	The minimum clearance distance from the side of the luminaire to any normally flammable building element (mm) ...	0mm
d	The minimum clearance distance from the side of the luminaire to any normally building insulation (mm) .....	0mm

### \*Installation Instructions:

1. Cut 90mm diameter hole
2. Select CCT setting(WW,NW,CW)
3. Insert driver and locate way from any combustible materials as per diagram below
4. Hold mounting clips up to sides of downlight and insert downlight into cutout so that springs retract onto rear face of ceiling



Ceiling max thickness ≤ 20 mm

10W	SMD	DIM	IP44* <small>IP44* - From below</small>	220V ~240V
-25°C ~40°C	↑	Alum.	300mA	27VDC

Installation of the product must be carried out by a licensed electrician, in accordance to these instructions and relevant Australia Standards or local regulations.